

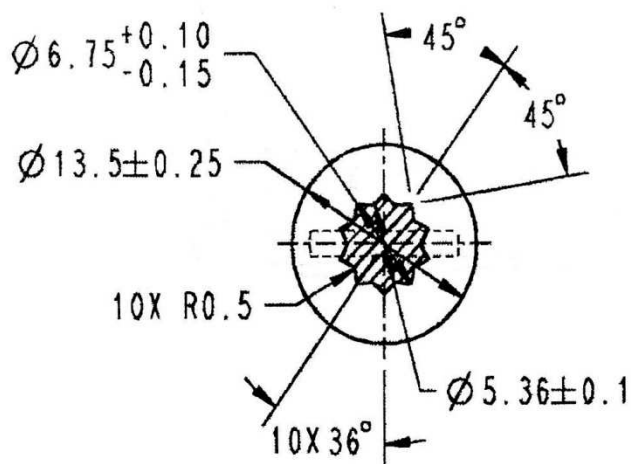
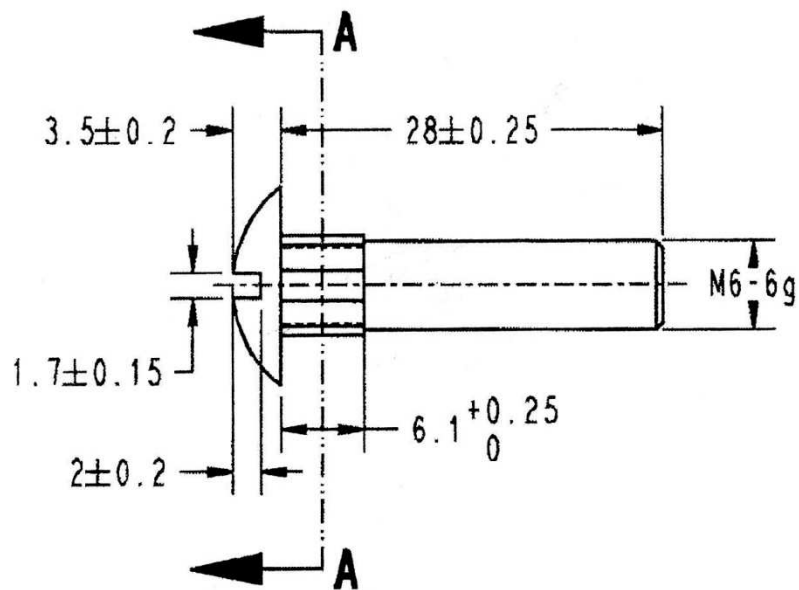


M6x16

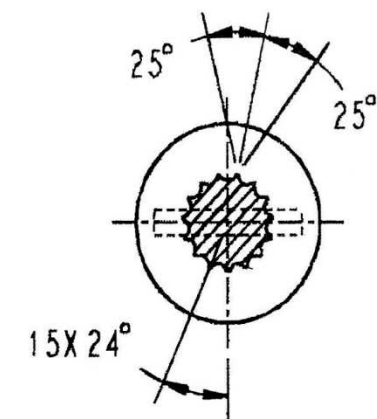
Cold-formed steel parts according to drawing.

Materials: 10.9

SUPPLIER: 36332
30071



A-A



OPTIONAL SERRATION DESIGN

A-A

ZINC PLATE, CNH MAT0310, ZNYCR 5